

A unified storage that is easy to use, flexible and efficient.



### Features

#### Unified storage

**Unified storage:** One storage support both block-level and file-level services. This helps to simplify the data center architecture, reduce operation and maintenance costs, and respond to different business needs.

**Protocol convergence:** Support iSCSI and FC to meet the storage requirements of different applications, such as database, file sharing, cloud computing.

#### Advanced architecture

**Scale-Out architecture:** Support online horizontal expansion and up to 2 controllers, enabling customers' storage resources to grow linearly to meet the changing business needs.

**High availability:** Adopt a fully redundant architecture, fully modular, redundant cache, and active-active controller design.

**High scalability:** Support up to 577 hard drives and a maximum cache of 64GB.

**Intelligent cache (64GB):** Improve overall storage performance and eliminate performance bottlenecks in complex application environments.

#### Intelligent software

**Intelligent local replication:** Three local data protection mechanisms: clone, snapshot, backup. The combination can meet the needs of application testing, development, analysis, backup, etc. It effectively saves storage space and reduces investment costs.

**Intelligent volume mirroring:** Volume mirroring function allows one volume have two copies, which can keep the

IO access uninterrupted when one of the copy is damaged.

**Intelligent tiering:** Hotspot data can migrate online between different storage mediums to optimize storage cost and performance and improve customers' ROI.

**Intelligent heterogeneous virtualization:** Allow to take over third-party storage resources and form a unified virtual resource pool. Data protection, data migration between storages are provided.

**Intelligent thin-provisioning:** Physical space no longer limits resource allocation. Support on-demand allocation to reduce early-stage investment and improve the utilization rate of storage resources. Full-capacity thin-provisioning allows over-allocation of the storage and the granularity level is adjustable (32k, 64k, 128k, 256k). It supports the creation of a single volume of up to 256TB. No additional license is required for subsequent expansion.

**Intelligent management software:** An intelligent management software that supports unified storage management of the G2 series. Also, an intelligent maintenance management system is built-in to reduce related costs and improve efficiency.

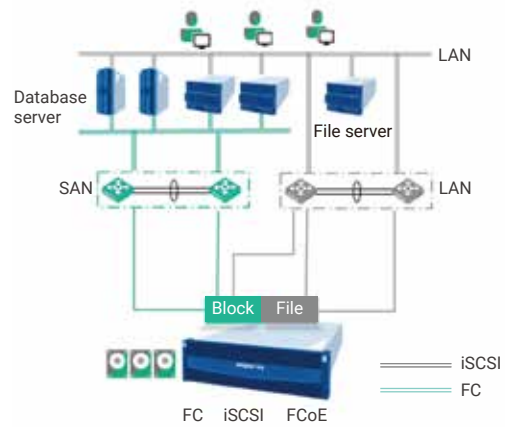
**Intelligent cloud tiering (unique in the industry):** The unique hybrid cloud storage infrastructure supports cache, disaster recovery, backup in the cloud environment. Support cloud backup or restore without purchasing any backup software. Thus, reduce backup complexity and effectively protect data security. Combine the cost-effective and highly-scalable cloud storage with the local data center architecture, and make sure seamless flow of data between the local data center and the public cloud.

## Application solution

### Satisfy customer's different business types and performance requirement

**Solution description:** With the emergence of new IT forms, the types of data stored have also shown a trend of diversification (blocks, files), while the performance requirements of different businesses are different. Inspur AS2200G2 is truly unified storage, supporting multiple protocols and host interfaces. Provide rich software features to meet different application needs of customers.

**Customer value:** Inspur AS2200G2 storage can realize SAN unification without gateway, and rich software functions can enable customers to obtain both benefits of performance and cost, reduce initial cost investment, and reduce customers' TCO.



## Specifications

Product	AS2200G2	
Controller	2	
Controller Cabinet	2U12, 2U25, 3U48	
System Cache	16GB-64GB	
Supported Storage Protocols	FC, iSCSI	
Type of Frontend Port	16Gb FC, 8Gb FC, 1/10Gb iSCSI	
Type of Hard Drive	SSD, SAS, NL-SAS	
Number of Hard Drive	577	
System Frontend IO Port	3	
System Backend Port	4 SAS	
Type of System Backend Port	SAS3.0 single-port 4*12Gbps	
Expansion Enclosure	2U12, 2U25, 3U48	
RAID Level	0, 1, 5, 6, 10, InRAID	
Boost Resource Efficiency	Intelligent Thin Provisioning (InThin)	Intelligent tiering (InTier)
	Intelligent virtualization RAID (InRAID)	Intelligent volume conversion (InTune)
	Intelligent data migration (InMigration)	
	Intelligent heterogeneous virtualization (InVirtualization)	
	Intelligent SSD cache acceleration (InFlashCache)	
Data Protection Software	Intelligent snapshot (InSnapShot)	Intelligent disk mirroring (InVdiskMirror)
	Intelligent cloning (InClone)	Intelligent remote replication (InRemoteCopy)
	Intelligent backup (InBackup)	Intelligent cloud tiering (InCloudTier)
Mission-Critical Guarantee	Intelligent quality of service (InQoS)	
	Intelligent automatic cache partition (InAutoPartition)	